

AC DEU



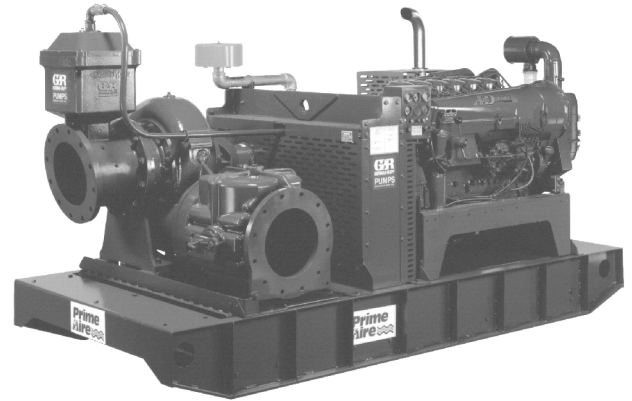
Priming Assisted Centrifugal Pump

Diesel Engine Driven

Models PA12A60-B-BF6L and PA12A60-B-BF6L-A

Size 12" x 12"

Total Head		Capacity of Pump in U.S. Gallons per Minute (GPM) at Continuous Performance			
P.S.I.	Feet				
41.2	95	1000	1000	1000	1000
39.0	90	1850	2200	2200	2200
34.7	80	2800	3650	3900	3900
30.4	70	3075	4190	4745	4900
26.0	60	3125	4298	5100	5500
22.7	50	3200	4350	5150	5800
17.3	40	3250	4400	5200	5850
13.0	30	3300	4450	5250	5900
8.7	20	3375	4500	5300	5900
Suction Lift		25'	20'	15'	10'



PA12A60-B-BF6L SHOWN

PUMP SPECIFICATIONS

Size: 12" x 12" (305 mm x 305 mm) Flanges.

Casing: Gray Iron No. 30. Maximum Operating Pressure 64 psi (4,5 kg/cm²).*

Enclosed Type, Three Vane Impeller: Ductile Iron No. 60-40-18. Handles 3" (76 mm) Diameter Spherical Solids.

Impeller Shaft: Stainless Steel No. 17-4 PH.

Replaceable Wear Ring: Brass No. 85-5-5-5.

Seal Plate: Gray Iron No. 30.

Bearing Housing: Gray Iron No. 30.

Seal: Mechanical, Oil-Lubricated, Double Floating, Self-Aligning. Silicon Carbide Rotating and Stationary Faces. Stainless Steel No. 316 Stationary Seat. Fluorocarbon (DuPont Viton® or Equivalent) and Buna-N Elastomers. Stainless Steel No. 18-8 Cage and Spring. Maximum Temperature of Liquid Pumped 160°F (71°C).*

* Consult Factory for Applications Exceeding Maximum Pressure and/or Temperature Indicated.

Shaft Sleeve: Stainless Steel No. 304.

Priming Chamber: Gray Iron No. 30.

Discharge Check Valve: Gray Iron No. 30 Housing; Buna-N Flapper.

Radial Bearing: Single Row Roller.

Thrust Bearing: Open Double Ball.

Bearing Lubrication: Oil.

Flanges: Gray Iron No. 30.

Gaskets: Vegetable Fiber, Resistant Synthetic Rubber, and Cork.

O-Rings: Buna-N.

Hardware: Standard Plated Steel.

Bearing and Seal Cavity Oil Level Sight Gauges.

PA12A60-B-BF6L-A ONLY: Liquid Level Controls: Submersible Transducer* and Electronic Pressure Switch (EPS) Control w/Start/Stop Set Point Adjustments for Automatic Filling/Emptying.

* 50 Ft. (15 m) Standard Length; 150 Ft. (46 m) Maximum; Specify Length at Time of Order.

Standard Equipment: Belt-Driven Air Compressor. Hoisting Bail. Skid Base. Strainer.

Optional Equipment: Battery.



Do not use in explosive atmosphere or for pumping volatile flammable liquids.

ENGINE SPECIFICATIONS

Model: Deutz Turbocharged BF6L913.

Type: Six Cylinder, Four Cycle, Air Cooled Diesel.

Displacement: 373.5 Cu. In. (6,1 liter).

Governor: Mechanical.

Lubrication: Forced Circulation.

Air Cleaner: Oil Bath.

Oil Reservoir: 19.5 U.S. Qts. (18 liter) Dry.

17 U.S. Qts. (16 liter) Refill.

Fuel Tank: 160 U.S. Gals. (605 liter).

Full Load Operating Time: 30 Hrs.

Starter: 12V Electric.

Standard Features: Low Oil Pressure and V-Belt Failure Safety Shut Down Switches. Exhaust Muffler w/Guard. 1.82:1 Reduction Drive. Instrument Panel with: Temperature Gauge, Oil Pressure Gauge, and Tachometer-Hourmeter.

DEUTZ PUBLISHED PERFORMANCE:
Maximum Continuous BHP 141 (105 kW)
@ 2300 RPM



THE GORMAN-RUPP COMPANY • MANSFIELD, OHIO

GORMAN-RUPP OF CANADA LIMITED • ST. THOMAS, ONTARIO, CANADA

Specifications Subject to Change Without Notice

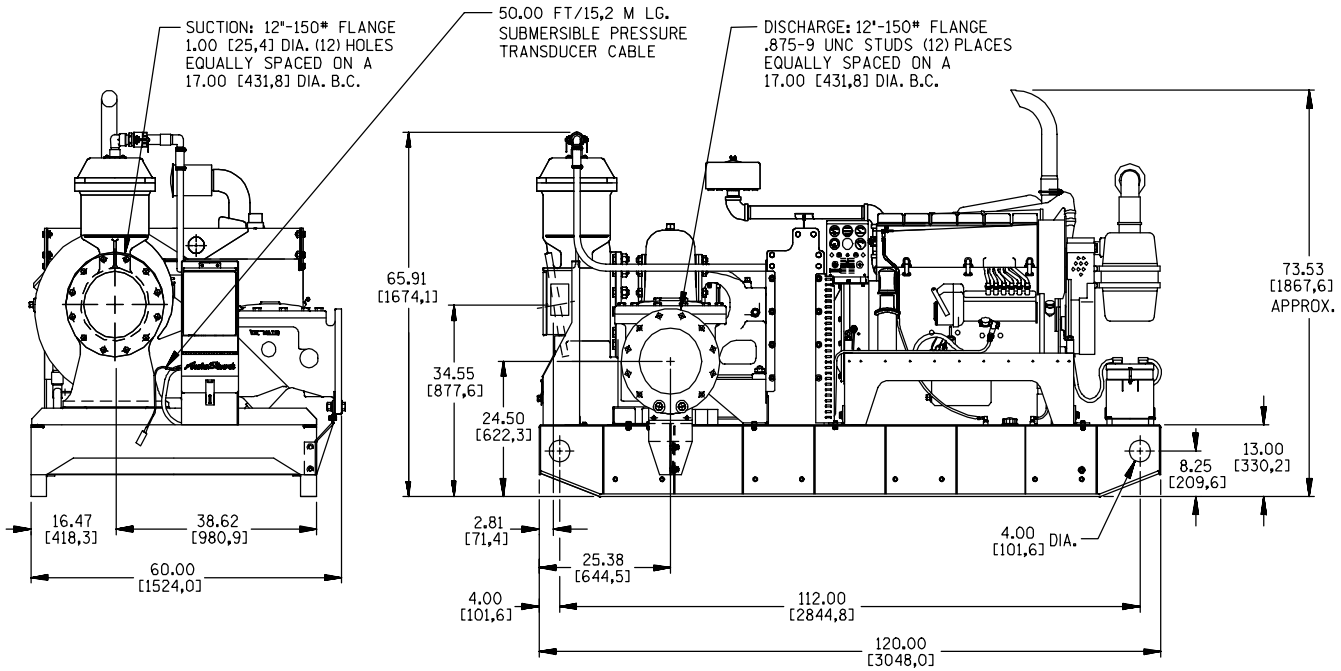
Printed in U.S.A.

Specification Data

SECTION 42, PAGE 1600

APPROXIMATE
DIMENSIONS and WEIGHTS

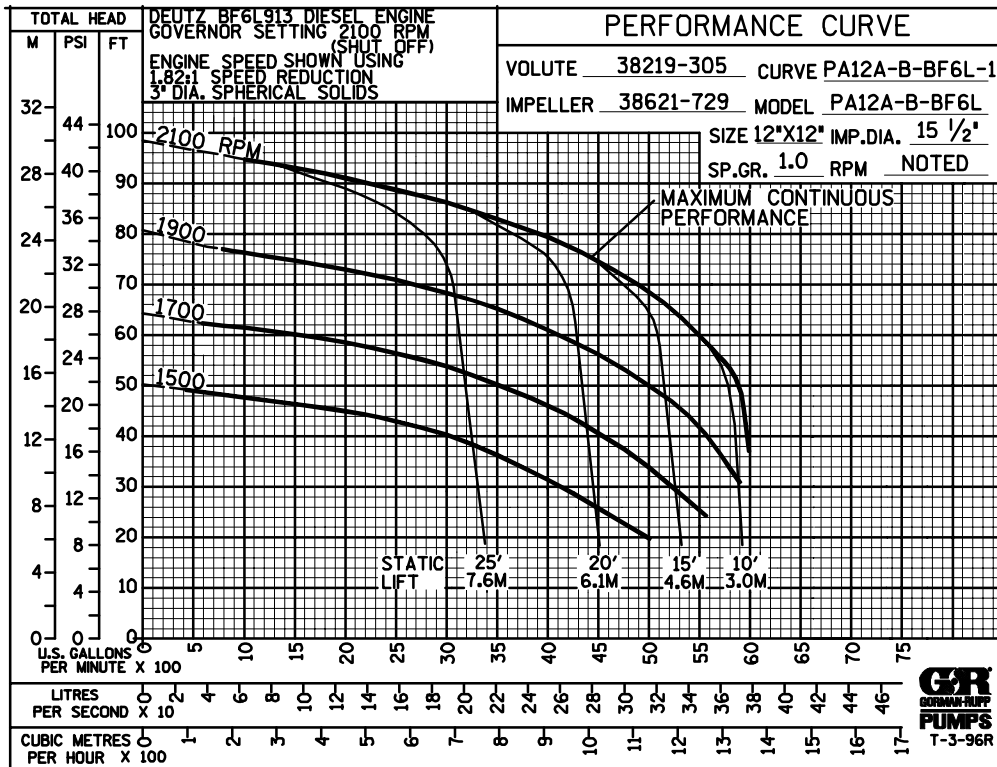
NET WEIGHT: 4510 LBS. (2046 KG.)
SHIPPING WEIGHT: 4810 LBS. (2182 KG.)
EXPORT CRATE SIZE: 337.5 CU. FT. (9,6 CU. M.)



POWERED BY A DEUTZ BF6L DIESEL ENGINE

DIMENSIONS:
INCHES
[MILLIMETERS]

PA12A60-B-BF6L-A SHOWN



THE GORMAN-RUPP COMPANY • MANSFIELD, OHIO

GORMAN-RUPP OF CANADA LIMITED • ST. THOMAS, ONTARIO, CANADA

Specifications Subject to Change Without Notice

Printed in U.S.A.